



**SIR ARTHUR LEWIS COMMUNITY COLLEGE
FACULTY OF AGRICULTURE AND TOURISM
ACADEMIC YEAR (2024/2025) – SEMESTER ONE
END OF SEMESTER FINAL EXAMINATION**

COURSE CODE : AGR202
COURSE TITLE : Livestock Management
LECTURER(S) : Catherine McCann
DATE : Thursday 12th December, 2024
TIME : 9:00 a.m.
DURATION : 2 Hours
STUDENT ID # : _____

GENERAL INFORMATION AND INSTRUCTIONS

This paper consists of **Four (4) questions**.

- You are required to answer ALL questions on the paper provided.
- Each question is worth 25 Marks in total.
- Answer each question on a new sheet of paper

DO NOT TURN THIS PAGE UNTIL YOU ARE TOLD TO DO SO

QUESTION ONE

- A. The ruminant industry in St Lucia has not developed at the same pace as the poultry and pig industries, although a significant number of farmers rear ruminants.
- i. Suggest **TWO** (2) possible reasons for this situation. [2 marks]
 - ii. Discuss **TWO** (2) possible strategies to address this situation. [4 marks]
- B. Accurate record keeping is a critical practice for any agricultural enterprise.
- i. Give **TWO** (2) reasons for record keeping in a small ruminant enterprise. [2 marks]
 - ii. Describe **FOUR** (4) types of records that should be kept by a small ruminant farmer. [8 marks]
- C. A well-managed pasture is one of the most cost-effective and high value sources of feed that can be produced and utilized for ruminants.
- i. State **FOUR** (4) components of an effective pasture management programme. [4 marks]
 - ii. Name **TWO** (2) species of grass included in tropical pastures [2 marks]
- D.
- i. Name **ONE** (1) breed of sheep reared in the Caribbean [1 mark]
 - ii. State **ONE** (1) distinguishing physical feature and **ONE** (1) non-physical feature of the breed named above [2 marks]

Total 25 marks

QUESTION TWO

- A. Pig breeding programmes traditionally focus on the improvement of production and reproduction traits that have a clear economic value.
- i. State **FOUR** (4) such traits that the manager of a pig unit would be interested in. [4 marks]
 - ii. Describe how **TWO** (2) of the traits mentioned above are determined. [4 marks]
- B. Give **THREE** (3) practices involved in the neonatal care of piglets. [3 marks]
- For **ONE** (1) of the husbandry practices named above:
- i. Describe the equipment required. [1 mark]
 - ii. Describe how it is done. [2 marks]
 - iii. Give **ONE** (1) reason why it is done. [1 mark]
- C. State **FIVE** (5) criteria to be used when selecting a location for a pig farm. [5 marks]
- D. Breeding animals are selected using very specific criteria. [5 marks]
- i. Identify **THREE** (3) criteria used to select boars
 - ii. Identify **TWO** (2) criteria used to select gilts.

Total 25 marks

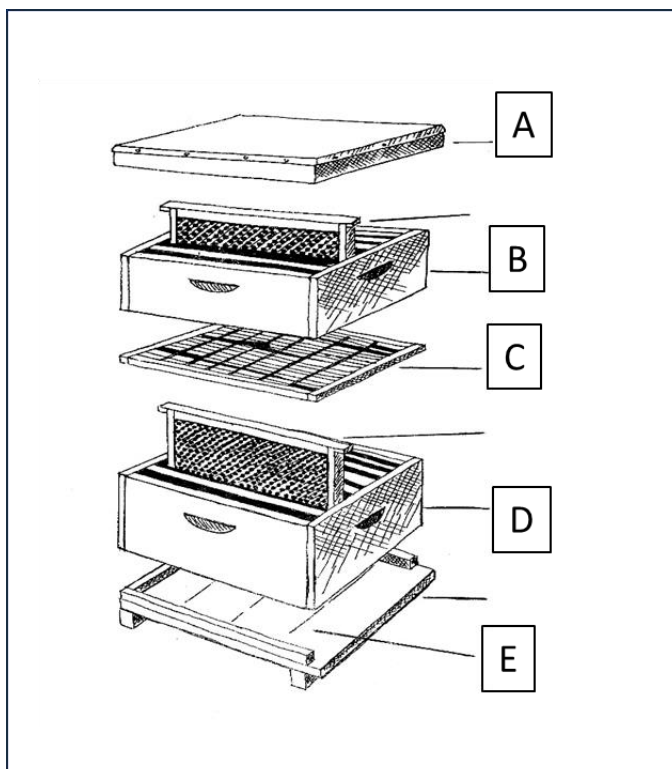
QUESTION THREE

- A. Describe **TWO** (2) common methods of rearing layers in the Caribbean. [4 marks]
- B. For any ONE (1) method identify state
- i. **TWO** (2) advantages, **and** [2 marks]
 - ii. **TWO** (2) disadvantages [2 marks]
- C. Record keeping is an essential component of good livestock farming.
- i. State **THREE** (3) types of records that should be kept on a daily basis in a layer unit. [3 marks]
 - ii. For any **TWO** (2) types of records named above give **TWO** (2) reasons for keeping each. [4 marks]
- iii. A poultry farmer is going to take delivery of 1000 day old broiler chicks. Discuss the following:
- i. The preparations and checks that must be made prior to the arrival of the chicks [4 marks]
 - ii. The activities and checks to be done on arrival of the chicks. [3 marks]
- D. State **THREE** (3) economic traits of broilers. [3 marks]

Total 25 marks

QUESTION FOUR

- A. One of your classmates has confided in you that after graduation he wishes to invest in an apiary.
- Identify **FIVE** (5) criteria for selecting a location for establishing an apiary. [5 marks]
- B. The following is a diagram of a Langstroth beehive. Label the parts indicated by letters A-E. [5 marks]



- C.
- i. Identify the **THREE** (3) castes of bees found in a hive. **[3 marks]**
 - ii. State **ANY TWO** (2) distinguishing features of **EACH** caste named above. **[6 marks]**
- D. You are going to inspect your colony of bees. Describe how you will carry out this activity, include details of the equipment and clothing that you would need in your answer. **[6 marks]**

Total 25 marks